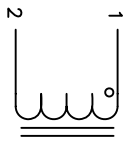


The information contained in this drawing is the sole property of Coil Winding Specialist, Inc. Any reproduction in part or whole without written permission of Coil Winding Specialist is prohibited.

REVISION HISTORY

REV	ECN	DESCRIPTION	BY	DATE	CHK	DATE
A		PRODUCTION RELEASE	KLC	4/09/09	AM	4/09/09
B		MECHAN. SPEC. CHANGE	GN	9/05/12	JL	9/05/12

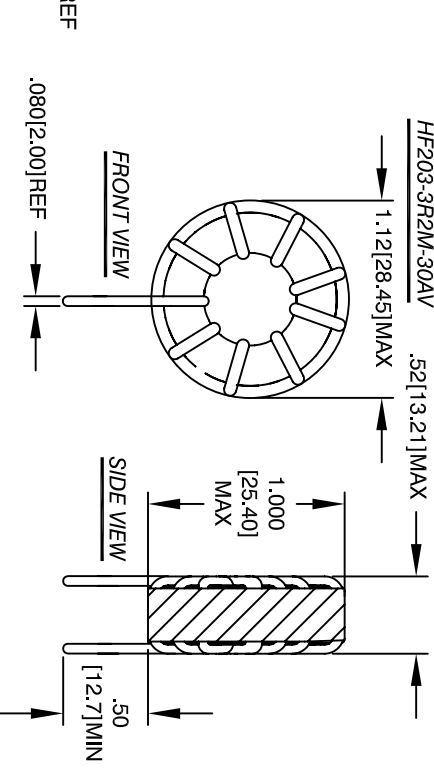
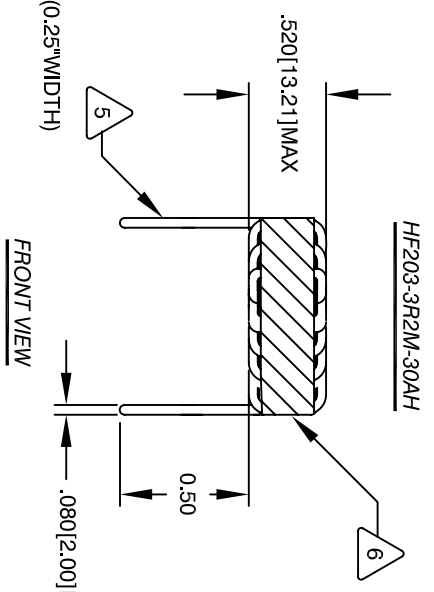


SCHEMATIC

8 THIS PART SUPERCEDE PN: HF203-030M-30A

7 BUILD TO ROHS COMPLIANCE

6 USING A PERMANENT MARKING METHOD MARK PART NUMBER AND REVISION. IF APPLICABLE IF NEEDED, WRAP INDUCTOR WITH 3M #79 OR EQUAL (0.25"WIDTH)



5 TO THE CORE MUST REST FLAT ON PCB. LEADS MUST BE TANGENT FLUSH WITH THE COIL EDGE, AS SHOWN (I.E. COIL REMOVE INSULATION AND TIN LEADS 0.50 INCH

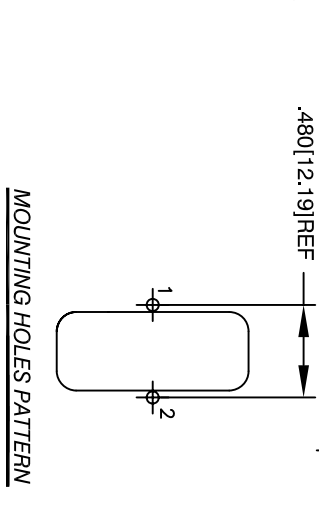
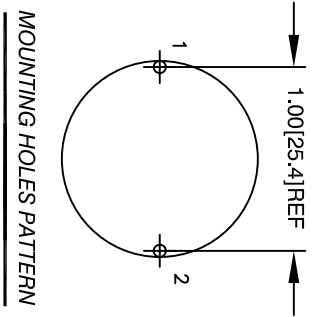
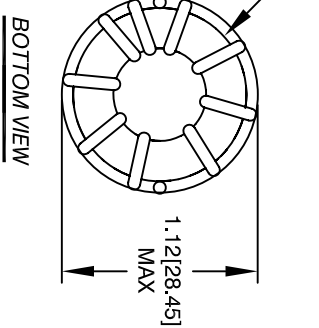
4 WIND COILS EVENLY SPACED AROUND THE CORE CONSTRUCTION:

H-POT TEST FOR WINDING TO CORE ISOLATION = 500VDC MIN
 CURRENT RATING : 30 AMPS, 40 °C TEMP. RISE, NO AIR FLOW
 DCR = 2.0 MILLI-OHMS MAX.
 DC BIASED = 30 AMPS, INDUCTANCE = 2.3 UH
 DC BIASED = 20 AMPS, INDUCTANCE = 2.6 UH
 INDUCTANCE = 3.2 UH ±15% @ LOW DC BIAS, 1 KHz, 250mV SPECIFICATIONS:

3 WIRE: UL RECOGNIZED 200°C RATED MAGNET WIRE
 CWS BYTEMARK OR OTHER APPROVED PART
 CORE: COATED HIGH FLUX TOROIDAL CORE

2 RATING CLASS B (130°C MIN.) REQUIRED
 1 MATERIAL: UL RECOGNIZED 94V-0 FOR FLAMMABILITY

NOTES: TOROIDAL POWER CHOKE. ALL DIMENSIONS IN INCHES



CODE IDENT	MFG. P/N	DESCRIPTION	ITEM NO.
PARTS LIST			
AUTOCAD SOLIDWORKS	X		
UNLESS OTHERWISE SPECIFIED			
DIMENSIONING AND TOLERANCES PER ANSI Y14.5M AND [MILLIMETERS]	DRWNN	DATE	
TOLERANCE INCHES: .XXX=±.005 XX=±.015 X=±.030	ENGR	4/9/09	
TOLERANCE METRICS: .XXX=±.127 XX=±.38 X=±.95	APPR	4/9/09	
ANGLE PROJECTION			
DO NOT SCALE DRAWING			
TITLE:		Toroidal Power Choke	
SIZE		3.2 UH, 30 Amp	
SCALE		2=1	
REV		B	

sales@coilws.com
 www.coilws.com
 Coil Winding Specialist, Inc.
 353 W Grove Ave
 Orange, CA 92865